

SHV SERIES High Voltage Connectors

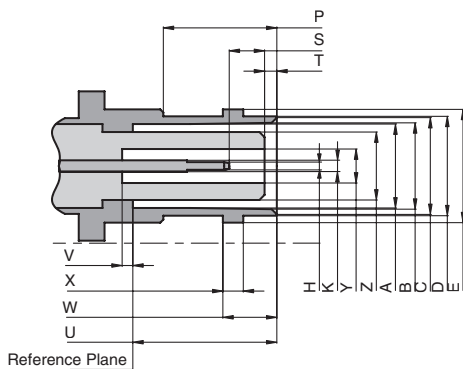
FEATURES

SHV connectors are suitable for all high voltage applications up to 3.5KV RMS, in particular for use on nuclear instruments.

The SHV outer contact ground connection is maintained through the center contact mating cycle. The center contacts are recessed to prevent shock hazards when the connectors are unmated.

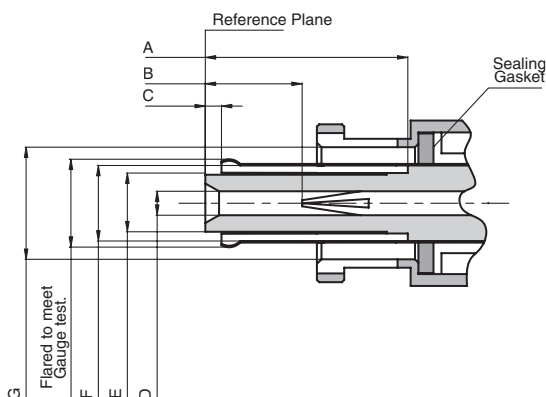
INTERFACE MATING DIMENSIONS

JACK:



Letter	Millimeters (inch)	
	Minimum	Maximum
A	8.10(.319)	8.15(.321)
B	8.33(.328)	8.46(.333)
C	8.81(.347)	9.07(.357)
D	9.60(.378)	9.70(.382)
E	10.97(.432)	11.07(.436)
H	1.32(.052)	1.37(.054)
K	2.06(.081)	2.11(.083)
P	10.85(.427)	–
S	4.78(.188)	5.28(.208)
T	1.55(.061)	1.98(.078)
U	15.90(.626)	16.00(.630)
V	1.63(.064)	2.18(.086)
W	5.18(.204)	5.28(.208)
X	1.90(.075)	2.06(.081)
Y	4.83(.190)	4.98(.196)
Z	–	6.60(.260)

PLUG:



Letter	Millimeters (inch)	
	Minimum	Maximum
A	15.95(.628)	16.05(.632)
B	6.05(.238)	6.65(.262)
C	1.17(.046)	1.63(.064)
D	2.08(.082)	–
E	4.57(.180)	4.72(.186)
F	6.71(.264)	–
G	9.78(.385)	9.91(.390)

Note: Jyebao SHV connectors meet the interface requirements of MIL-STD-348A

TECHNICAL DATA

Electrical Data	
Dielectric Withstanding Voltage (at sea level, in V rms, 50 Hz)	5000
Working Voltage (at sea level, in V rms, 50 Hz)	≤3500
Corona Extinction Voltage (at 21000m, in V rms, 50 Hz)	≥350
Impedance	50Ω
Frequency Range	DC up to 300 MHz
Insulation Resistance	≥5000MΩ
Contact Resistance Inner conductor	≤2mΩ
Contact Resistance Outer conductor	≤1.5mΩ
Current Rating, continuous	≤10A

Mechanical Data	
Coupling Nut Torque	0.6 to 2.5 in.-lbs
Coupling Nut Retention Force	≥101.2 lbs
Contact Captivation	≥6.1 lbs
Durability (matings)	≥500

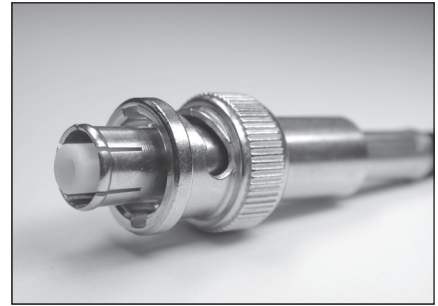
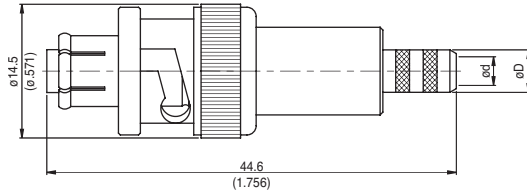
VSWR

Frequency Range: DC~300MHz

VSWR: DC~100MHz ≤ 1.1

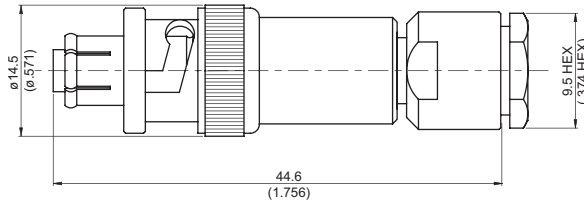
DC 100~300MHz ≤ 1.20

► **SHV PLUG CRIMP**



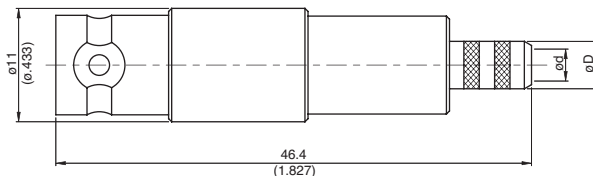
Part Number	Measurements	Weight	Material	Suitable Cables
SHV3100-0058	$\phi d=3.1(.122)$ $\phi D=4.4(.173)$	14.52g	C11	RG58, JBY195
SHV3100-0059	$\phi d=3.9(.154)$ $\phi D=5.6(.220)$	15.23g	C11	RG59
SHV3100-0142	$\phi d=3.1(.122)$ $\phi D=4.4(.173)$	14.22g	C11	RG55, RG142, RG400
SHV3100-0223	$\phi d=3.1(.122)$ $\phi D=4.4(.173)$	14.22g	C11	RG223

► **SHV PLUG CLAMP**



Part Number	Material	Suitable Cables
SHV3200B-0058	C11	RG58, JBY195
SHV3200B-0059	C11	RG59
SHV3200B-0142	C11	RG55, RG142, RG400

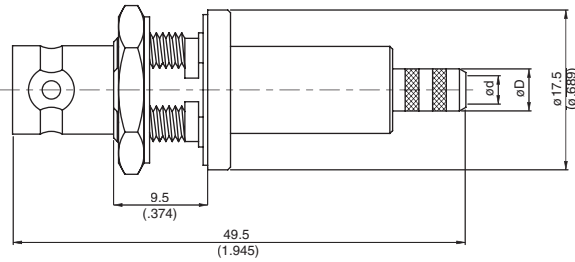
► **SHV JACK CRIMP**



Part Number	Measurements	Material	Suitable Cables
SHV8100-0058	$\phi d=3.1(.122)$ $\phi D=4.4(.173)$	A2	RG58, JBY195
SHV8100-0059	$\phi d=3.9(.154)$ $\phi D=5.6(.220)$	A2	RG59
SHV8100-0142	$\phi d=3.1(.122)$ $\phi D=4.4(.173)$	A2	RG55, RG142, RG400
SHV8100-0223	$\phi d=3.1(.122)$ $\phi D=4.4(.173)$	A2	RG223

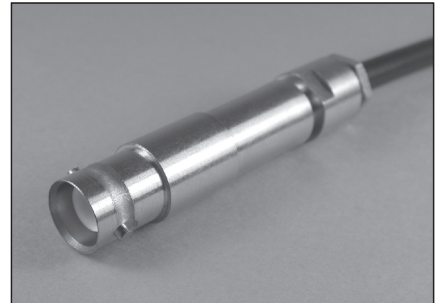
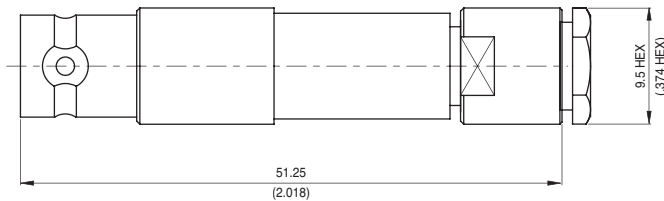
AHS

► **SHV JACK CRIMP FOR BULKHEAD**



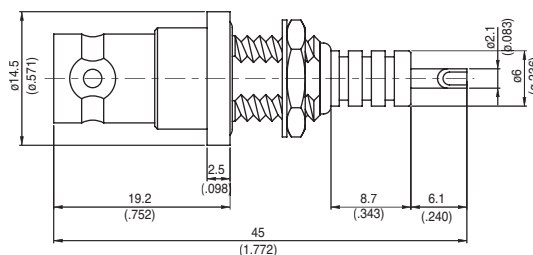
Part Number	Measurements	M.H.	Material	Suitable Cables
SHV8105-0058	ød=3.1(.122) øD=4.4(.173)	5	A2	RG58, JBY195
SHV8105-0059	ød=3.9(.154) øD=5.6(.220)	5	A2	RG59
SHV8105-0142	ød=3.1(.122) øD=4.4(.173)	5	A2	RG55, RG142, RG400
SHV8105-0223	ød=3.1(.122) øD=4.4(.173)	5	A2	RG223

► **SHV JACK CLAMP**



Part Number	Weight	Material	Suitable Cables
SHV8200-0058	22.37g	A2	RG58, JBY195
SHV8200-0059		A2	RG59
SHV8200-0142		A2	RG55, RG142, RG400

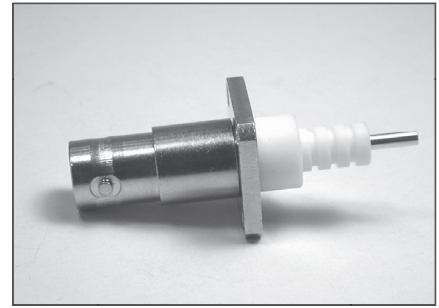
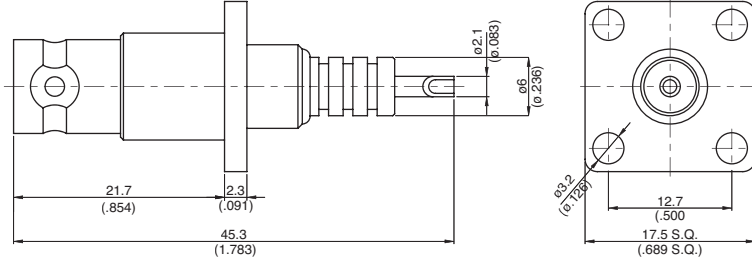
► **SHV JACK FOR BULKHEAD**



Part Number	M.H.	Weight	Material
SHV8500-0000	4	11.56g	A2

SHV

▶ **SHV JACK FOR PANEL RECEPTACLE**



Part Number	M.H.	Material
SHV864A-0000	23	A2